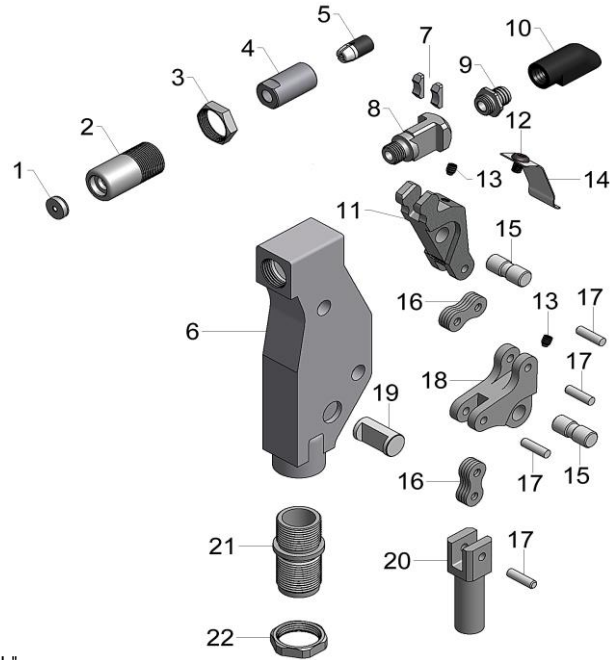
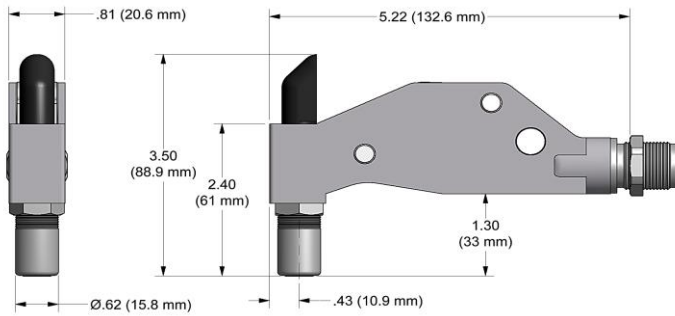


NOSE ASSEMBLY DATA SHEET



CAUTION!
Do not operate if pintail deflector is removed. Pintail may eject forcibly. SEVERE PERSONAL INJURY MAY RESULT.

*RECOMMENDED FOR MAINTENANCE APPLICATIONS ONLY.
**RIGHT ANGLE NOSE ASSEMBLIES REQUIRE MORE THAN ONE "PULL"



3/11 REV 5/15

GAGE BILT

GAGE BILT Inc.

44766 Centre Court (586) 226-1500
Clinton Twp. MI 48038 (586) 226-1505 Fax
e-mail:solutions@gagebilt.com / www.gagebilt.com

ATTACHMENT:

Disconnect air supply from tool. Hold back of drawbolt-collet (8) down with thumb. Thread anvil holder (2) into frame (6) until it bottoms out on collet (4). Loosen approximately 1/4 turn and tighten jam nut (3) securely to frame (6). Engage one or two threads of drawbolt (20) onto piston assy located on tool, then insert adapter fitting (21) into end of head cylinder assy located on tool and turn clockwise until snug. Rotate nose assembly to desired position and tighten jam nut (22) securely. Reconnect air supply to tool.

DISASSEMBLY:

Loosen jam nut (3) and remove holder (2). Unscrew collet (4) which contains super-grip jaw assy (5) from drawbolt-collet (8).

Remove button head cap screw (12) and guard (14). Remove two set screws (13) and push out two pivot pins (15) to permit removal of linkage. Shoe bearings (7) and drawbolt-collet (8) will disengage from lever (11).

Remove four link pins (17) to disassemble lever (11), links (16), bellcrank (18) and drawbolt (20).

Remove guide pin (19) from frame (6). Adapter Fitting (21) is secured to frame with Loctite® and need not be removed unless damaged.

REASSEMBLY:

Reverse the procedure. Linkage, consisting of lever (11), links (16), bellcrank (18) and drawbolt (20) should be assembled as a subassembly before inserting lever (11) into shoe bearings (7) and drawbolt-collet (8). MAKE SURE NOTCHES ON DRAWBOLT-COLLET (8) ARE POINTING TOWARDS LEVER (11). This complete subassembly may then be inserted into frame (6) and retained by guide pin (19) and pivot pins (15).

| | | |
|-------------------------|---|-------------------|
| Type: | Fasteners: | Recommended Tool: |
| Single Action 1/8" Ø | MS20600, Cherry® 9000 Huck® PT, SP & MS RV200 & RV500 | GB704 |

| Ref. No. | Qty. | Description | 4C-704-54RA |
|----------|------|-----------------------|-------------|
| 1 | 1 | Anvil Insert | 10487 |
| 2 | 1 | Anvil Holder | 10115 |
| 3 | 1 | Jam Nut | 70411 |
| 4 | 1 | Collet | 20327 |
| 5 | 1 | Super-Grip Jaw Assy | 30418-S5 |
| 6 | 1 | Frame | 75310 |
| 7 | 2 | Shoe Bearing | 75311 |
| 8 | 1 | Drawbolt-Collet | 70486 |
| 9 | 1 | Barbed Retainer | 70575 |
| 10 | 1 | Deflector | 61107 |
| 11 | 1 | Lever | 75313 |
| 12 | 1 | Button Head Cap Screw | 402471 |
| 13 | 2 | Set Screw | 75315 |
| 14 | 1 | Guard | 75316 |
| 15 | 2 | Pivot Pin | 75317 |
| 16 | 8 | Link | 75318 |
| 17 | 4 | Link Pin | 75319 |
| 18 | 1 | Bellcrank | 75320 |
| 19 | 1 | Guide Pin | 75321 |
| 20 | 1 | Drawbolt | 75322 |
| 21 | 1 | Adapter Fitting | 75323 |
| 22 | 1 | Jam Nut | 70104 |