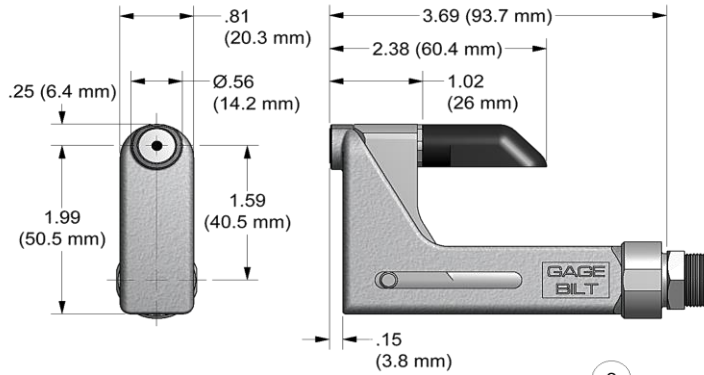


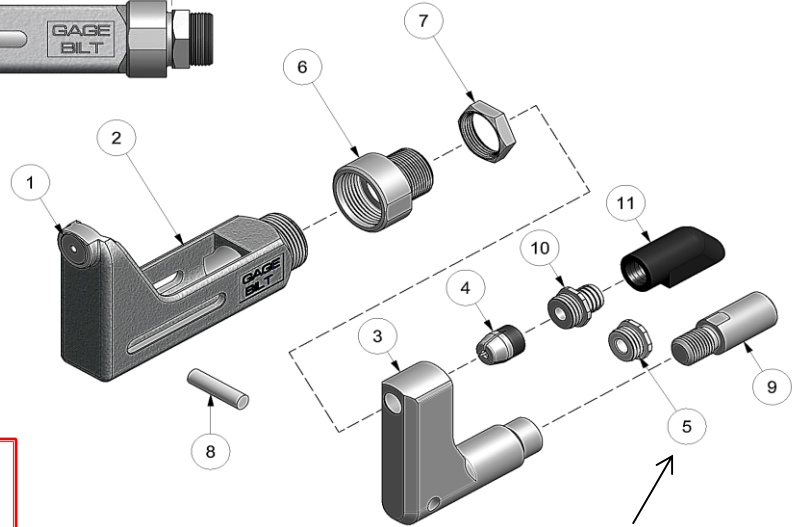
# NOSE ASSEMBLY DATA SHEET



**CAUTION:**  
Do not operate if pintail deflector is removed. Pintail may eject forcibly. SEVERE PERSONAL INJURY MAY RESULT.

## Attachment

Screw nose assembly onto tool until it stops then back off until nose is in desired position. (Warning: do not back off nose assembly more than one complete turn). Lock jam nut (70411) against adapter (70346)



Cap (5) is used for closed access applications only or when clearance is an issue.

**WARNING:**  
KEEP FINGERS AND HANDS AWAY FROM NOSE ASSEMBLY DURING OPERATION TO PREVENT SEVERE PERSONAL INJURY.



11/17

**GAGE BILT**  
MADE in USA

44766 Centre Court Clinton Twp. MI 48038 USA  
Ph: +1 (586) 226-1500 Fax: +1 (586) 226-1505  
solutions@gagebilt.com / www.gagebilt.com

Type:		Fasteners:	Recommended Tool:
Non Self-Releasing 1/8" Ø		MS20600, Cherry® 9000 Huck® PT, SP & MS RV200 & RV500	GB715
			Alternate Tools: GB50 OR GB51
Ref. No.	Qty.	Description	4C-715A-400S
1	1	Anvil Insert	10487
2	1	Anvil & Holder Assy (Inc. #1)	13010
3	1	Collet	20911
4	1	Super-Grip Jaw Assy	30425-S2
5	1	Cap	60428
6	1	Anvil Adapter	70346
7	1	Jam Nut	70411
8	1	Pin	70468
9	1	Collet Adapter	70340
10	1	Barbed Retainer	60440
11	1	Deflector	61107