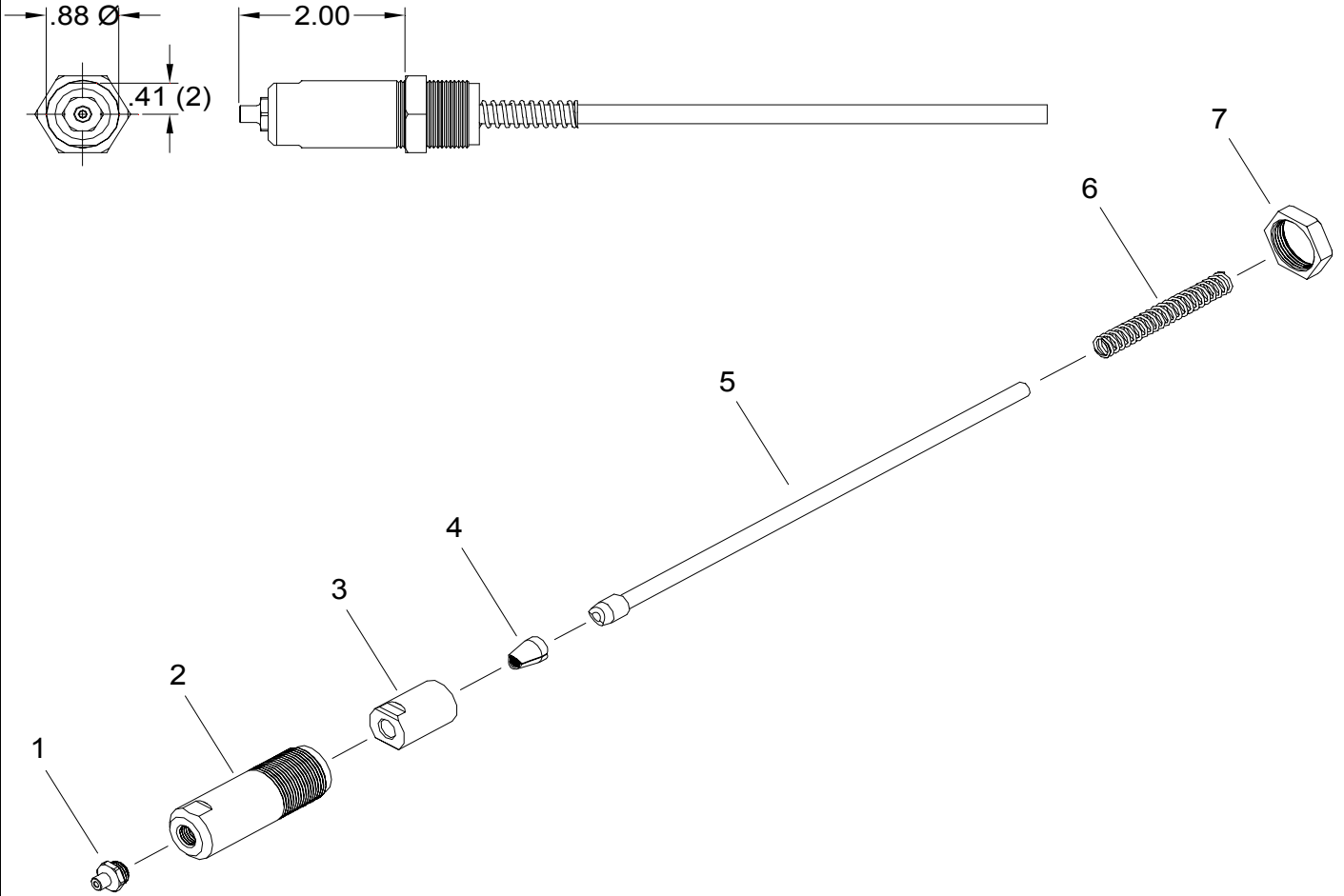


NOSE ASSEMBLY DATA SHEET



11/07



GAGE BILT
MADE IN U.S.A.

GAGE BILT Inc.

44766 Centre Court (586) 226-1500
Clinton Twp. MI 48038 (586) 226-1505 Fax
e-mail:solutions@gagebilt.com / www.gagebilt.com

Type:		Fasteners:	Recommended Tool:
Self-Releasing 1/8" Ø		STAINLESS STEEL N, Q & E, CLOSED END, AVEX® RIVETS	
Ref. No.	Qty.	Description	4SS-743-20SRV
1	1	Nose Tip	10202
2	1	Anvil Holder	10935
3	1	Collet	20836
4	1	Jaw Set	30537
5	1	Follower	703431
6	1	Spring	405371
7	1	Jam Nut	70820