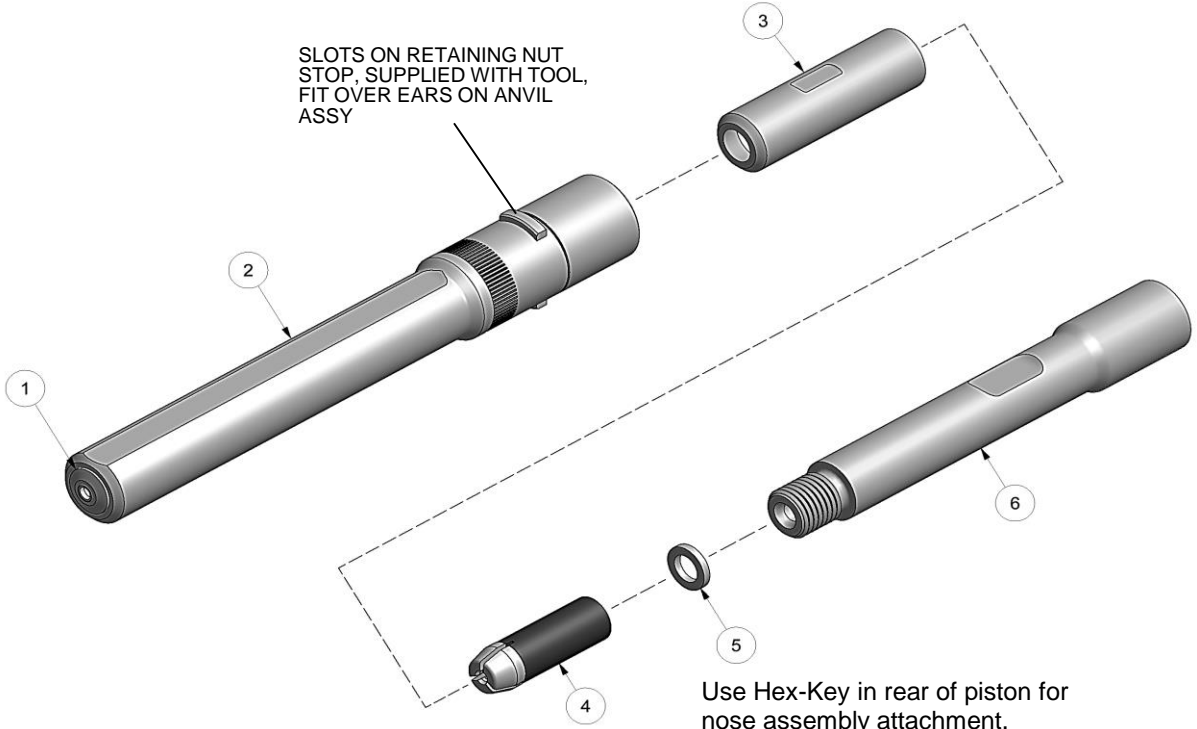
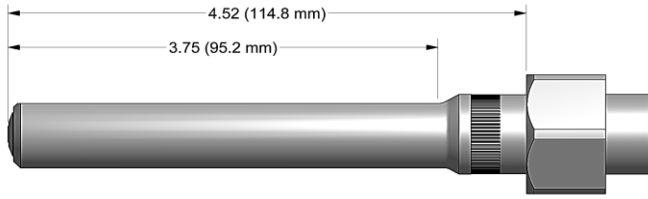
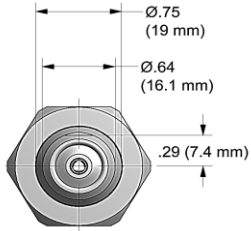


# NOSE ASSEMBLY DATA SHEET



\*\*Anvil Assembly consists of #1 and 35208 retainer.

1/12 REV 12/15

<h2 style="margin: 0;">GAGE BILT</h2> <p style="margin: 0;">MADE IN U.S.A.</p>	<h2 style="margin: 0;">GAGE BILT Inc.</h2> <p style="margin: 0;">44766 Centre Court (586) 226-1500                  Clinton Twp., MI 48038 (586) 226-1505 Fax                  e-mail: solutions@gagebilt.com / www.gagebilt.com</p>
--	--

Type:		Fastener:	Recommended Tool: GB752
Non Self-Releasing *5/32" Ø		NAS1398A/1399A RV1000/1100 & 1200 *3/16 Ø AF5075 / AF5076 / S149A020	Alternate Tools: GB751 & GB2480(A)
Ref. No.	Qty.	Description	5A-752C-45
1	1	Anvil-Driving	15001
2	1	Anvil & Holder Assy (Inc. #1)	17764
3	1	Collet	20727
4	1	Super-Grip Jaw Assy	30545-CS
5	1	Spacer	70572
6	1	Collet Extension	70551