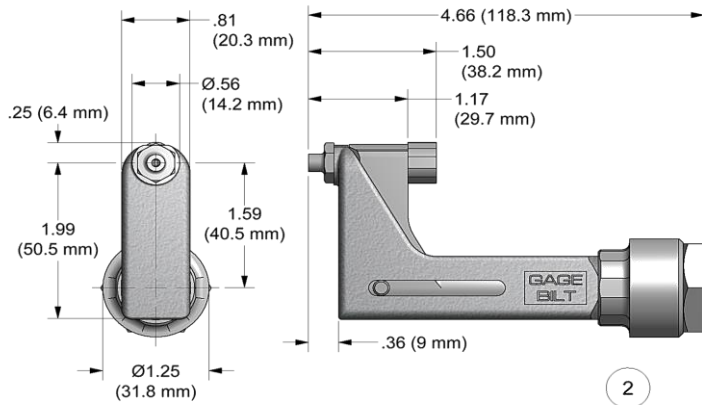
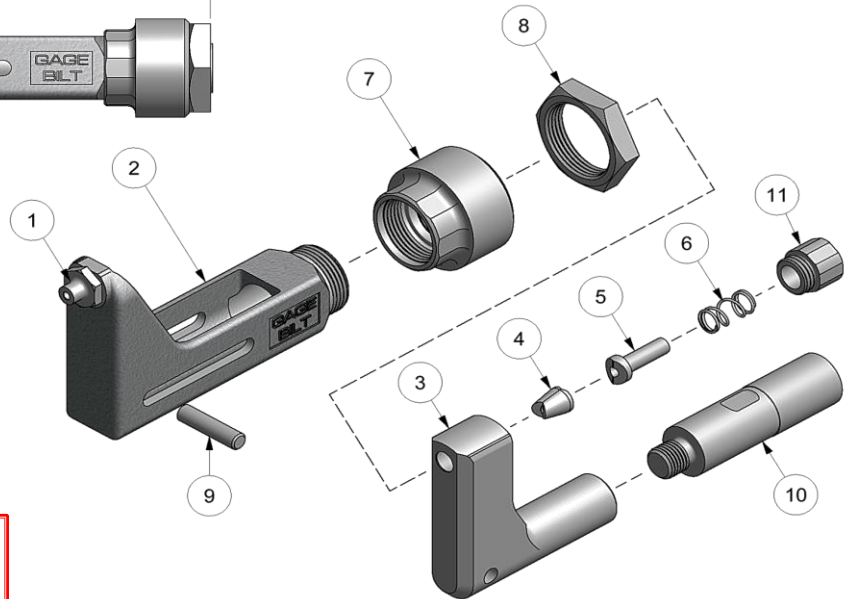


# NOSE ASSEMBLY DATA SHEET



**Attachment :**

Screw jam nut (70336) on nose fitting of tool at least 3/4". Screw nose assembly onto nose fitting of tool until it stops, then back off until nose is in desired position. (Warning: Do not back off nose assembly more than one complete turn). Lock jam nut (70336) against anvil adapter (70344).



**WARNING:**  
**KEEP FINGERS AND HANDS AWAY**  
**FROM NOSE ASSEMBLY DURING**  
**OPERATION TO PREVENT SEVERE**



5/18

**GAGE BILT**  
 MADE in USA

44766 Centre Court Clinton Twp. MI 48038 USA  
 Ph: +1 (586) 226-1500 Fax: +1 (586) 226-1505  
 solutions@gagebilt.com / www.gagebilt.com

Type:		Fasteners:	Recommended Tool: GB751
Non Self-Releasing 5/32" Ø		CLOSED END NAIL RIVET (STEEL MANDREL)	Alternate Tools: GB722 & GB713
Ref. No.	Qty.	Description	5CES-751A-43OS
1	1	Anvil Insert	13476
2	1	Anvil & Holder Assy (Inc. #1)	13536
3	1	Collet	20915
4	1	Jaw Assy	30617-1
5	1	Follower	40506
6	1	Spring	50418
7	1	Anvil Adapter	70344
8	1	Jam Nut	70336
9	1	Link Pin	70468
10	1	Adapter-Collet	70332
11	1	Nut Cap	60429