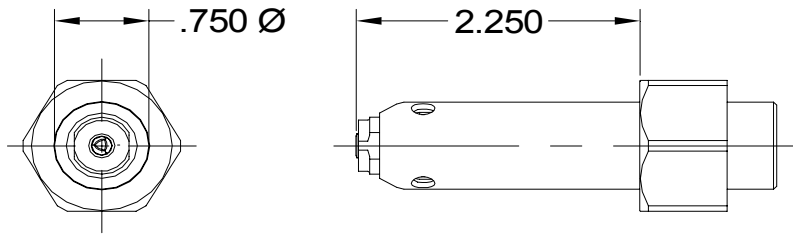
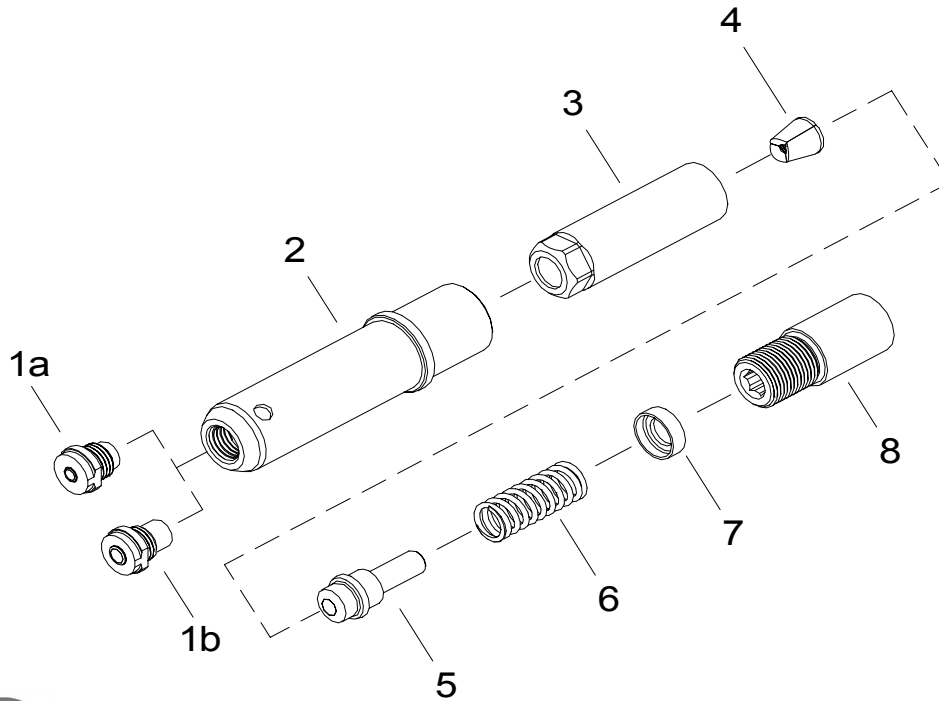


NOSE ASSEMBLY DATA SHEET



Use Hex Key in rear of collet extension collet disassembly.

Use Hex Key in rear of piston for nose assembly attachment.



3/05

Nose Assembly not recommended for stainless steel fasteners.

GAGE BILT

GAGE BILT Inc.

44766 Centre Court (586) 226-1500
 Clinton Twp. MI 48038 (586) 226-1505 Fax
 e-mail: solutions@gagebilt.com / www.gagebilt.com

Type:		Fastener:	Recommended Tool:
Self-Releasing 3/16" & 1/4" Ø		Monobolt®	GB722
			Alternate Tools: GB752 & GB2480
Ref. No.	Qty.	Anvil Holder	68MB-352-21
1a	1	Nose Tip-3/16"	10210
1b	1	Nose Tip-1/4"	10213
2	1	Anvil Holder	10942
3	1	Collet	20413
4	1	Jaw Set	30856
5	1	Follower	40889-2
6	1	Spring	50802
7	1	Cap	60810
8	1	Collet Extension	70823