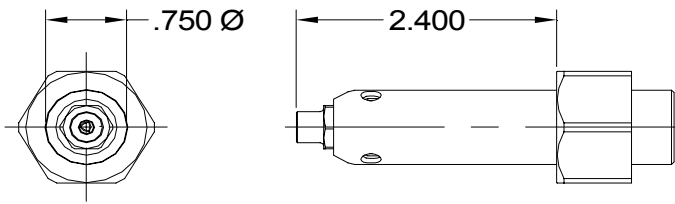
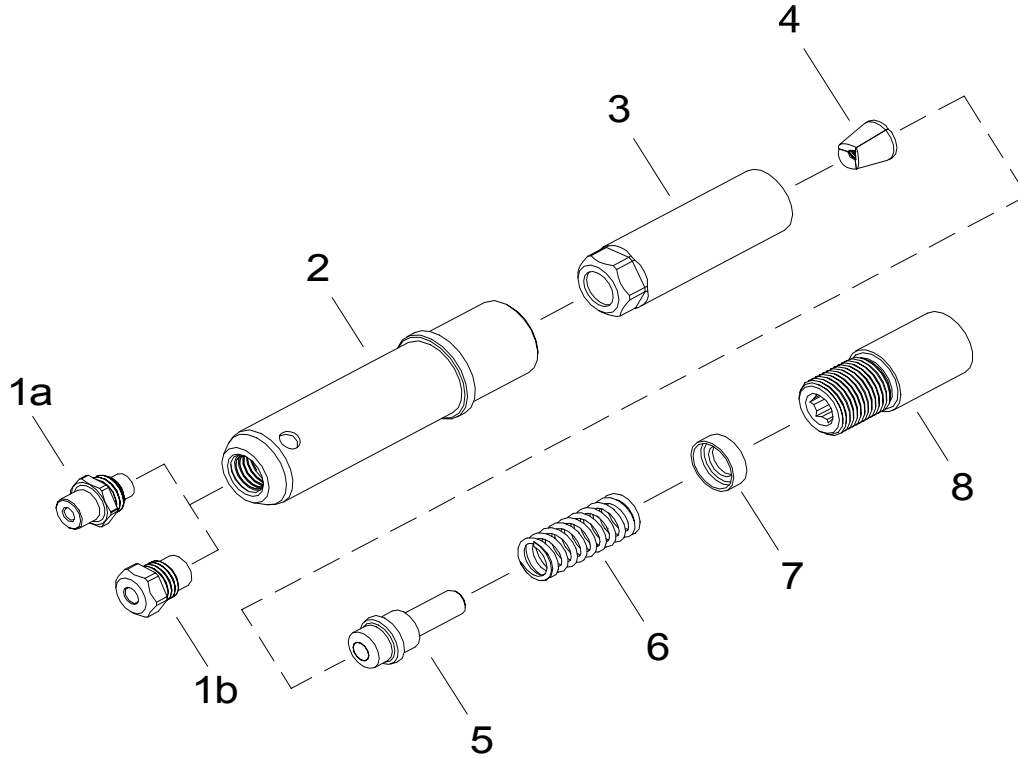


NOSE ASSEMBLY DATA SHEET



Use Hex Key in rear of piston for nose assembly attachment.



3/05

* Nose Assembly not recommended for stainless steel fasteners.

GAGE BILT

GAGE BILT Inc.

44766 Centre Court (586) 226-1500
 Clinton Twp., MI 48038 (586) 226-150 Fax
 e-mail:solutions@gagebilt.com / www.gagebilt.com

Type:		*Fastener:	Recommended Tool: GB722
Self-Releasing 3/16" & 1/4" Ø		Protruding and Countersunk Head Nail Rivets	Alternate Tools: GB752 & GB2480
Ref. No.	Qty.	Anvil Holder	68N-352-21
1a	1	Nose Tip-3/16"	10204
1b	1	Nose Tip-1/4"	10211
2	1	Anvil Holder	10942
3	1	Collet	20413
4	1	Jaw Set	30856
5	1	Follower	40889-2
6	1	Spring	50802
7	1	Cap	60810
8	1	Collet Extension	70823