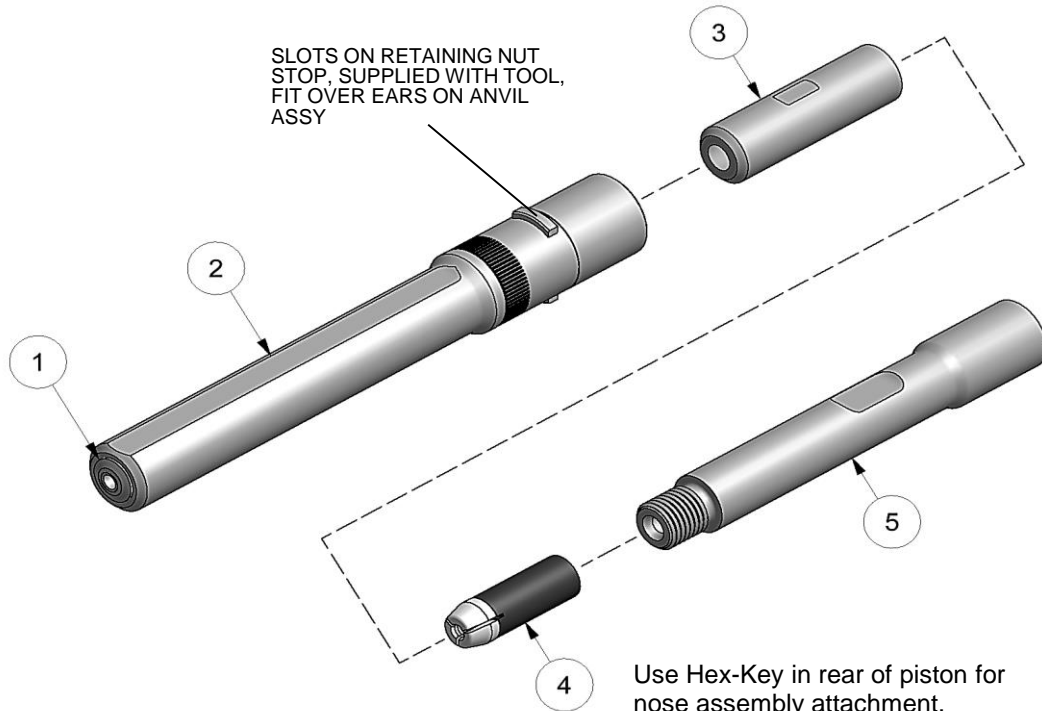
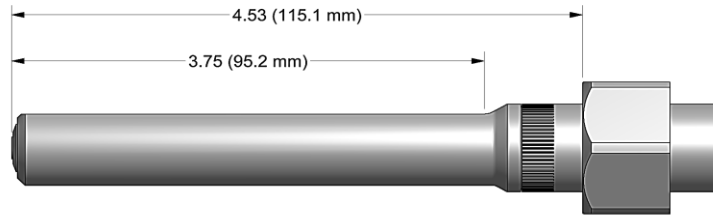
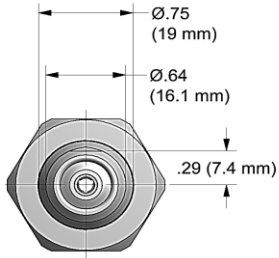


NOSE ASSEMBLY DATA SHEET



**Anvil Assembly consists of #1 and 35208 retainer.

11/01 REV. 12/15

GAGE BILT

GAGE BILT Inc.

44766 Centre Court (586) 226-1500
 Clinton Twp., MI 48038 (586) 226-1505 Fax
 e-mail:solutions@gagebilt.com / www.gagebilt.com

Type:		Fastener:	Recommended Tool: GB752
Non Self-Releasing *3/16 Ø		NAS1398A/1399A RV1000/1100 & 1200 *1/4 Ø AF5075 / AF5076 / S149A020	Alternate Tools: GB751 & GB2480(A)
Ref. No.	Qty.	Description	6A-752B-45
1	1	Anvil-Driving	16028
2	1	Anvil & Holder Assy (Inc. #1)	17742
3	1	Collet	20717
4	1	Super-Grip Jaw Assy	30656-S
5	1	Collet Extension	70551