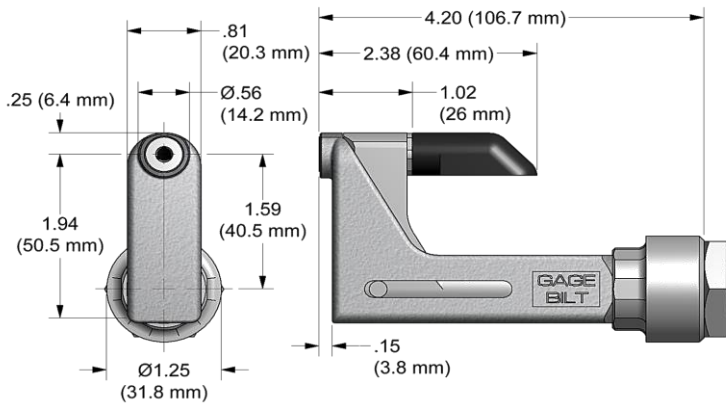


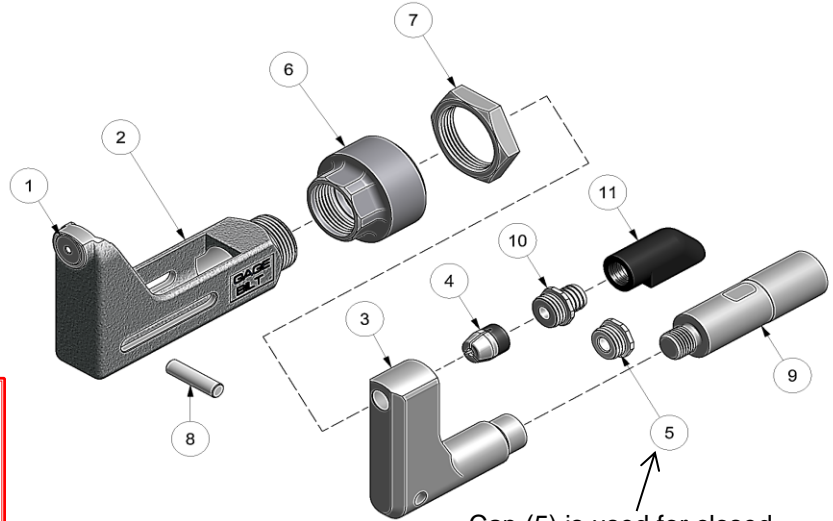
NOSE ASSEMBLY DATA SHEET



CAUTION:
Do not operate if pintail deflector is removed. Pintail may eject forcibly. SEVERE PERSONAL INJURY MAY RESULT.

Attachment :

Screw jam nut (70336) on nose fitting of tool at least 3/4". Screw nose assembly onto nose fitting of tool until it stops, then back off until nose is in desired position. (Warning: Do not back off nose assembly more than one complete turn). Lock jam nut (70336) against adapter (70344).



Cap (5) is used for closed access applications only or when clearance is an issue.

WARNING:
KEEP FINGERS AND HANDS AWAY FROM NOSE ASSEMBLY DURING OPERATION TO PREVENT SEVERE

10/17



*USE ADAPTER 745751 & DO NOT USE # (7) JAM NUT 70336.

GAGE BILT
MADE in USA

44766 Centre Court Clinton Twp. MI 48038 USA
Ph: +1 (586) 226-1500 Fax: +1 (586) 226-1505
solutions@gagebilt.com / www.gagebilt.com

Type:		Fasteners:	Recommended Tool:
Non Self-Releasing 1/4" Ø		MS20600, CHERRY® 9000 HUCK® PT, SP & MS RV200 & RV500	GB751 Alternate Tools: GB752, GB713, GB2480 & *GB745
Ref. No.	Qty.	Description	8C-751A-43OS
1	1	Anvil Insert	10812
2	1	Anvil & Holder Assy (Inc. #1)	12045
3	1	Collet	20911
4	1	Super-Grip Jaw Assy	30864-S5
5	1	Cap	60428
6	1	Anvil Adapter	70344
7	1	Jam Nut	70336
8	1	Pin	70468
9	1	Collet Adapter	70332
10	1	Barbed Retainer	60440
11	1	Deflector	61107