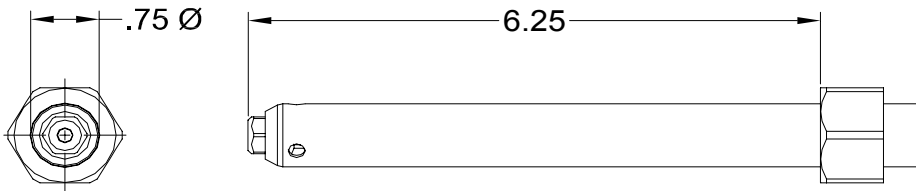
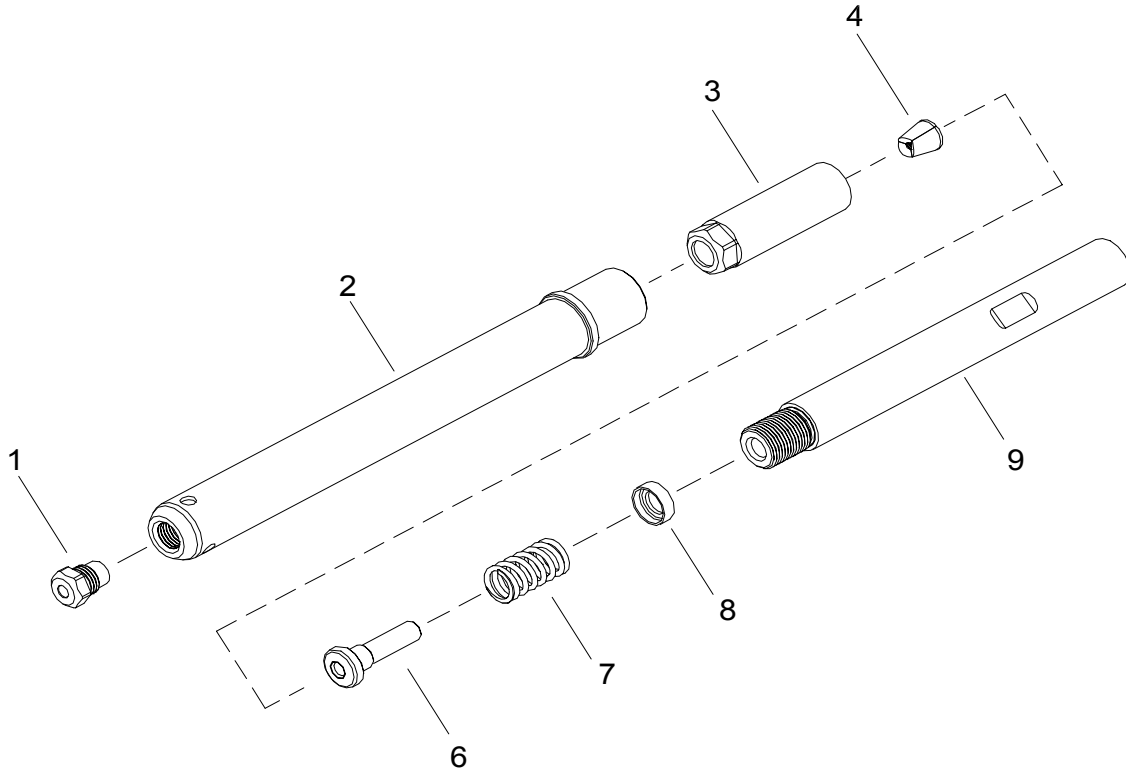


# NOSE ASSEMBLY DATA SHEET



Use Hex Key in rear of piston for nose assembly attachment.



9/04

\* Nose Assembly not recommended for stainless steel fasteners.

## GAGE BILT

### GAGE BILT Inc.

44766 Centre Court (586) 226-1500  
 Clinton Twp., MI 48038 (586) 226-1505 Fax  
 e-mail:solutions@gagebilt.com / www.gagebilt.com

Type:		*Fastener:	Recommended Tool: GB722
Self-Releasing 1/4" Ø		Protruding and Countersunk Head Nail Rivets	Alternate Tools: GB752 & GB2480
Ref. No.	Qty.	Anvil Holder	<b>8Z-352A-61</b>
1	1	Nose Tip	10211
2	1	Anvil Holder	10942-3
3	1	Collet	20413
4	1	Jaw Set	30856
5	1	Follower	40811-2
6	1	Spring	50802
7	1	Cap	60810
8	1	Collet Extension	70822