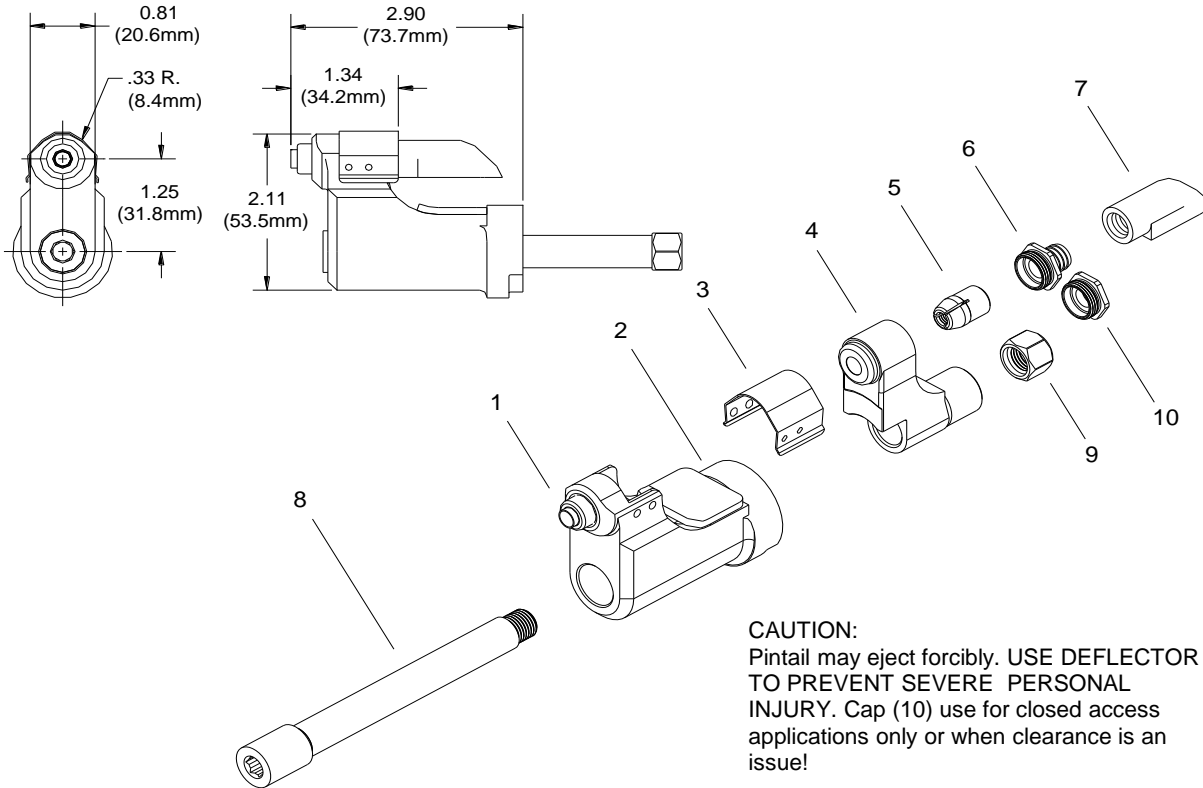


NOSE ASSEMBLY DATA SHEET



CAUTION:
Pintail may eject forcibly. USE DEFLECTOR TO PREVENT SEVERE PERSONAL INJURY. Cap (10) use for closed access applications only or when clearance is an issue!

ASSEMBLY INSTRUCTIONS:

Disconnect tool from power source. On front of GB204 Installation tool, remove screw and stop. With collet placed in anvil install on tool. Apply Vibra-TITE® part no. 405124 to threads on drawbar. Slide drawbar thru anvil and collet. Screw nut "counterbore in" on rear of drawbar. Connect tool to power source. Cycle the tool to rear position. While holding the actuator down, disconnect tool from power source. Using a 1/4" hex wrench and a 1/2" socket wrench, tighten nut on the drawbar. Replace screw and stop on tool.



*Use adapter No. 751204. GB752 recommended for -6 and -8 only
**Use Adapter No. 353204

4/11 REV. 9/12

GAGE BILT
MADE IN U.S.A.

GAGE BILT Inc.
44766 Centre Court (586) 226-1500
Clinton Twp. MI 48038 (586)226-1505 Fax
e-mail:solutions@gagebilt.com / www.gagebilt.com

Type:		Fastener:		Recommended Tool:	
Non Self-Releasing 13/64", 17/64" & 21/64" Ø		2 ASP®, ASP PF, ASP FF ASP F & ASP LC		GB204(A)	
				Alternate Tools: *GB752, **GB745 & *GB722	
Ref. No.	Qty.	Description	*ASP06-204D-27OS	*ASP08-204D-27OS	ASP10-204D-27OS
1	1	Cap Assembly	10142	10143	10174
2	1	Anvil Assembly	19988	19989	19980
3	1	Guard	60426	60426	60426
4	1	Collet	20722	20722	20722
5	1	Super-Grip Jaw Assembly	30656-S10	30864-S15	30863-S4
6	1	Barbed Retainer	70569	70569	70569
7	1	Deflector	61107	61107	61107
8	1	Draw Bar	71116	71116	71116
9	1	Nut	71114	71114	71114
10	1	Cap	70571	70571	70571