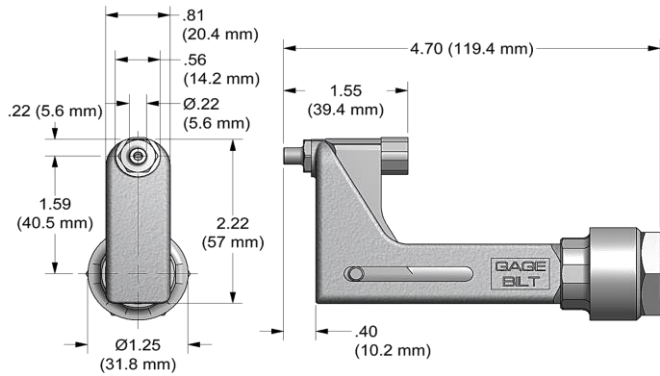


NOSE ASSEMBLY DATA SHEET

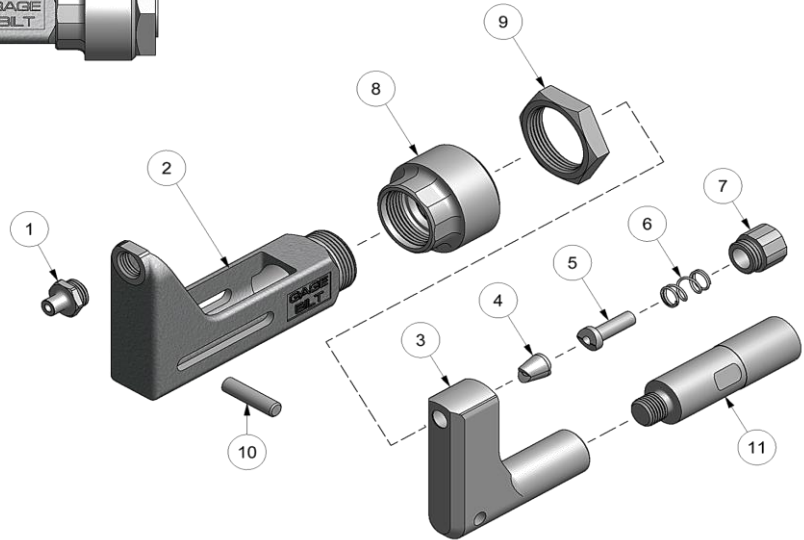


CAUTION:
Pintail may eject forcibly. Use for closed access applications only to prevent SEVERE PERSONAL INJURY!

Attachment:

Screw jam nut (70336) onto nose fitting at least 3/4". Screw nose assembly onto nose fitting until it stops then back off until nose is in desired position.

(Warning: do not back off nose assembly more than one complete turn.) Lock in place with jam nut (70336) against face of tool.



WARNING:
KEEP FINGERS AND HANDS AWAY FROM NOSE ASSEMBLY DURING OPERATION TO PREVENT SEVERE PERSONAL INJURY.



*USE ADAPTER 745751 & DO NOT USE # (9) JAM NUT 70336.

2/18

GAGE BILT
MADE in USA

44766 Centre Court Clinton Twp. MI 48038 USA
Ph: +1 (586) 226-1500 Fax: +1 (586) 226-1505
solutions@gagebilt.com / www.gagebilt.com

Type:		Fasteners:				Recommended Tool: GB751	
Self-Releasing 3/32", 1/8", 5/32" & 3/16" Ø		POP® OPEN END NAIL RIVETS				Alternate Tools: GB752, GB722, GB2480(A) & *GB745	
Ref. No.	Qty.	Description	3N-751A-43OS	4N-751A-43OS	5N-751A-43OS	6N-751A-43OS	
1	1	Nose Tip	10247	10202	12277	12278	
2	1	Anvil Holder	13536	13536	13536	13536	
3	1	Collet	20915	20915	20915	20915	
4	1	Jaw Set	30617	30617	30617-1	30617	
5	1	Follower	40506	40506	40506	40304-2	
6	1	Spring	50418	50418	50418	A-1503	
7	1	Cap	60429	60429	60429	60429	
8	1	Anvil Adapter	70344	70344	70344	70344	
9	1	Jam Nut	70336	70336	70336	70336	
10	1	Pin	70468	70468	70468	70468	
11	1	Collet Adapter	70332	70332	70332	70332	