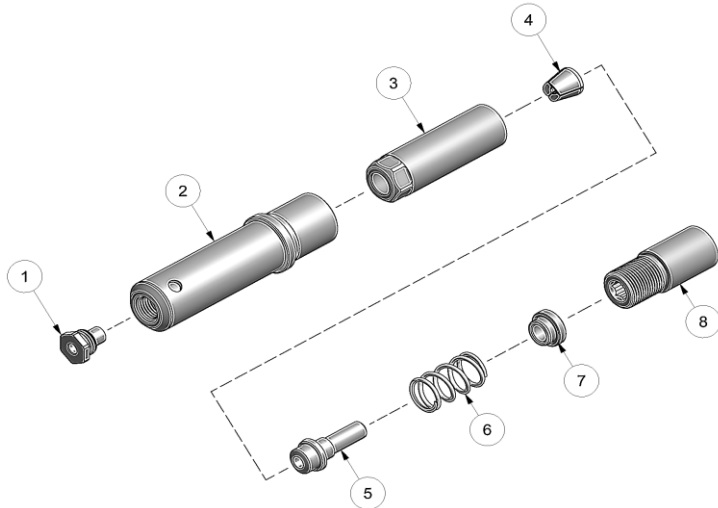
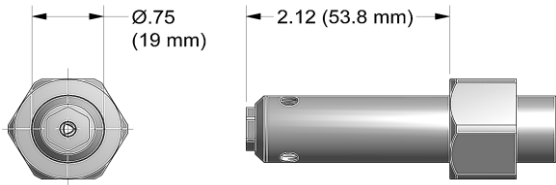


NOSE ASSEMBLY DATA SHEET



ASSEMBLY:

Note: If nose assembly is assembled as it is when purchased new, follow steps 5-7 to attach to tool.

1. Place extension-collet (8) on a flat work surface hex side up.
2. Place cap (7) on extension-collet (8). Note direction from exploded view.
3. Place spring (6) on top of cap (7). Insert follower (5) through spring (6) and into cap (7) and extension-collet (8). Place jaw set (4) on top of follower (5).
4. Slide collet (3) over assembled parts and thread collet (3) to extension-collet (8). Snug tighten assembled parts using 9/16" wrench on collet (3) and 1/4" hex key in rear on extension-collet (8).
5. Thread assembled collet (3) and extension-collet (8) onto piston assembly on tool and snug with 9/16" wrench on collet (3) and hex key into rear of piston of tool.
6. Slide anvil holder assembly (2) over assembled collet (3) and extension-collet (8).
7. Slide retaining nut from tool (retaining nut stop not used in this nose assembly) over anvil holder assembly (2) and tighten.

DISASSEMBLY:

Reverse assembly instructions.

SELECTION CHART FOR COUNTERSUNK AND PROTRUDING HEAD RIVETS

FASTENER	DIA.	NOSE ASSEMBLY	NOSE TIP
N, Q & E, POP®, CLOSED END, AVE® MAGNA-LOK®, MAGNA-BULB®, HEMLOK®, BULB-TITE® (NON-STRUCTURAL) & ULTRA-GRIP® COMMERCIAL RIVETS	3/16 1/4	6N-713-21 8CN-713-21	10204 10211-1
PLASTIC SPLIT	3/16 1/4	6P-713-21 8P-713-21	10167 10166
T RIVET®	3/16 1/4	6T-713-21 8T-713-21	10209 10286-2
POP® CLOSED END NAIL RIVET (STEEL MANDREL)	1/4	8CES-713-21	13469

POP® AND ULTRA-GRIP® ARE REGISTERED TRADEMARKS OF EMHART TECHNOLOGIES. AVE® AND HEMLOK® ARE REGISTERED TRADEMARKS OF AVDEL UK LIMITED. MAGNA-LOK® AND MAGNA-BULB® ARE REGISTERED TRADEMARKS OF ARCONIC INC. BULB-TITE® IS A REGISTERED TRADEMARK OF GESIPA FASTENERS USA, INC. T RIVET® IS A REGISTERED TRADEMARK OF CHERRY AEROSPACE FASTENERS.

Rev. 1/18

11/04 Rev. 1/18



These noses are not recommended for stainless steel rivets

GAGE BILT
MADE in USA

44766 Centre Court Clinton Twp. MI 48038 USA
Ph: +1 (586) 226-1500 Fax: +1 (586) 226-1505
solutions@gagebilt.com / www.gagebilt.com

Type:		Fastener:	Recommended Tool: GB722
Self-Releasing		See Chart	
		Alternate Tools: GB713, GB752 & GB2480(A)	
Ref. No.	Qty.	Description	XX-713-21
1	1	Nose Tip	See Chart
2	1	Anvil Holder Assy	10942
3	1	Collet	20413
4	1	Jaw Set	30856
5	1	Follower	40889-2
6	1	Spring	50421
7	1	Cap	40810
8	1	Extension-Collet	70823