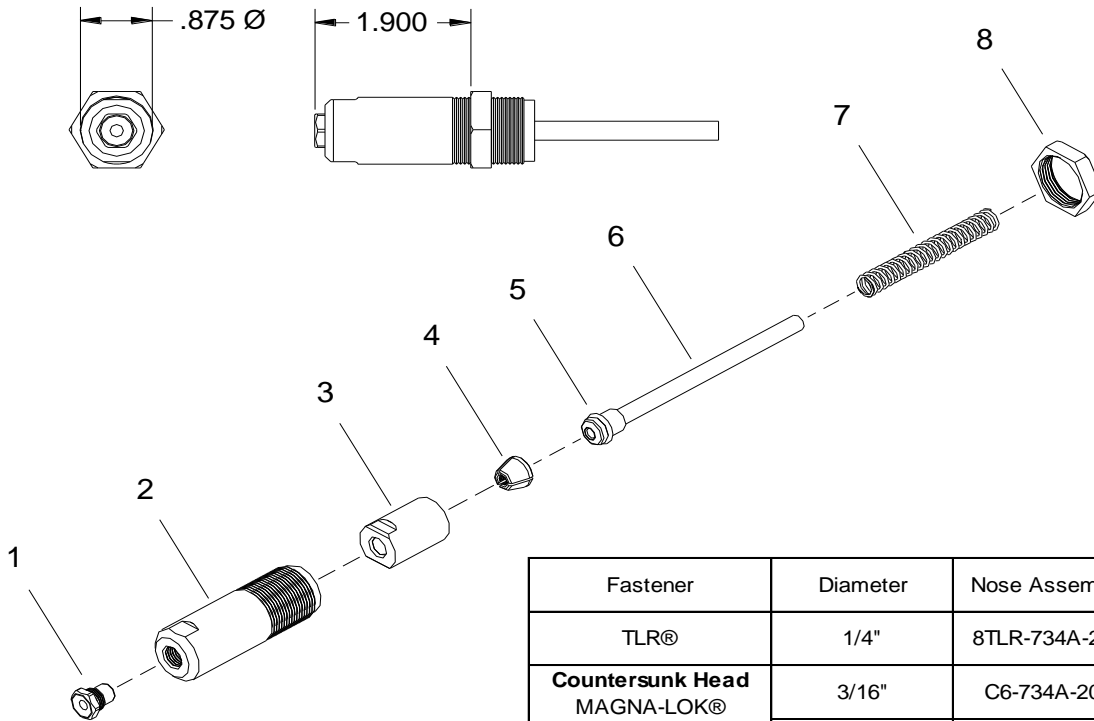


NOSE ASSEMBLY DATA SHEET



* For American made rivets only.
All others use 6N-743A-24V

Fastener	Diameter	Nose Assembly	Nose Tip	Jaw Set
TLR®	1/4"	8TLR-734A-20V	10246	36801
Countersunk Head MAGNA-LOK® MAGNA-BULB® HEMLOK®	3/16"	C6-734A-20V	10425	30628
	1/4"	C8-734A-20V	10211	36801
Protruding Head MAGNA-LOK MAGNA-BULB HEMLOK	3/16"	*PH6-734A-20V	10248	30628
	1/4"	*PH8-734A-20V	10205	36801
CHERRYMAX®	3/16"	SP6-734A-20V	10248-2	30628
	1/4"	SP8-734A-20V	10205-2	36801
MONOBOLT®	3/16"	MB06-734A-20V	10210	30628
	1/4"	MB08-734A-20V	10213	36801

MAGNA-LOK® AND MAGNA-BULB® ARE REGISTERED TRADEMARKS OF ALCOA INC. TLR®, MONOBOLT® AND HEMLOK® ARE REGISTERED TRADEMARKS OF AVDEL UK LIMITED. CHERRYMAX® IS A REGISTERED TRADEMARK OF CHERRY AEROSPACE FASTENERS.



3/11 Rev. 10/13

10/13

GAGE BILT Inc.

GAGE BILT

44766 Centre Court (586) 226-1500
Clinton Twp. MI 48038 (586) 226-1505 Fax
e-mail:solutions@gagebilt.com / www.gagebilt.com

Type:		Fasteners:	Recommended Tool:
Self-Releasing		See Chart	GB743
Ref. No.	Qty.	Description	XX-734A-20V
1	1	Nose Tip	See Chart
2	1	Anvil Holder	10935
3	1	Collet	28819
4	1	Jaw Set	See Chart
5	1	O'Ring	400777
6	1	Follower	703444
7	1	Spring	405371
8	1	Jam Nut	70820