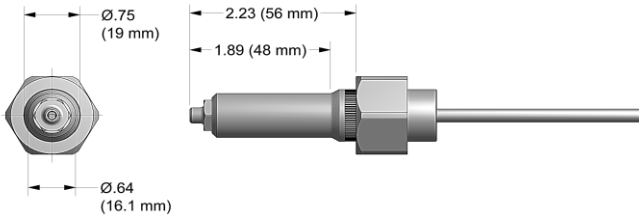


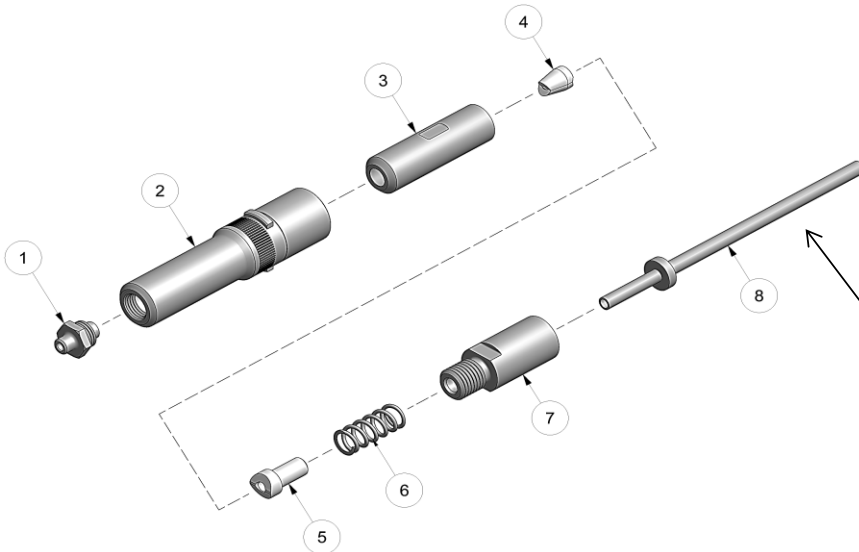
NOSE ASSEMBLY DATA SHEET



| RIVET | DIAMETER | NOSE ASSEMBLY | NOSE TIP | PINTAIL TUBE |
|--|----------|--|----------|--------------|
| OPEN END MULTI-GRIP STRUCTURAL NAIL RIVET | 3/32 | 3N-751-23 | 10201 | 40443 |
| | 1/8 | 4N-751-23 | 10202 | 40443 |
| | 5/32 | 5N-751-23 | 10203 | 40443 |
| | 3/16 | 6N-751-23 | 10204 | 40443 |
| CLOSED END NAIL RIVET (ALUMINUM MANDREL) | 3/32 | 3N-751-23 | 10201 | 40443 |
| | 1/8 | 4CEA-751-23 | 13471 | 40443 |
| | 5/32 | 5CEA-751-23 | 13472 | 40443 |
| CLOSED END NAIL RIVET (STEEL MANDREL) | 3/32 | 3N-751-23 | 10201 | 40443 |
| | 1/8 | 4CES-751-23 | 13475 | 40443 |
| | 5/32 | 5CES-751-23 | 13476 | 40443 |
| EN6122 & UAB130-EU EN6127 & UAB6127-EU EN6128 & UAB100-EU EN6129 & UABP-EU | 5/32 | UAB05-751-23 | 12324 | 40443 |
| | 3/16 | *UAB06-751-23 | 12325 | ---- |
| BLIND RIVET (SINGLE ACTION) WITH OR W/O DRIVE WASHER NAS1900 S & U SERIES | 1/8 | SMLS04-751-23 | 13484 | 40443 |
| | 5/32 | SMLS05-751-23 | 13485 | 40443 |
| | 3/16 | *SMLS06-751-23 | 13486 | ---- |
| NAS1900 S & U SERIES BLIND RIVET WITH DRIVE WASHER | 1/8 | UBR456-751-23 (Pulls all 3 sizes) *Remove 40443 for 3/16"Ø | 12323 | 40443 |
| | 5/32 | | | |
| | 3/16 | | | |
| NAS1719, NAS1720 NAS1721 | 1/8 | MBC04-751-23 | 10251 | 40443 |
| | 5/32 | MBC05-751-23 | 10252 | 40443 |
| | 3/16 | *MBC06-751-23 | 10253 | ---- |
| *A* CODE NAS1398A & NAS1399A | 3/32 | 3A-751-23 | 13405 | 40443 |
| | 1/8 | 4A-751-23 | 13406 | 40443 |
| | 5/32 | 5A-751-23 | 13407 | 40443 |
| CHERRYMAX®, CHERRYMAX® 'AB', MBC® LOCK CREATOR BACR15FR/FP, BACR15GF/GK | 1/8 | 456MAX-751-23 (Pulls all 3 sizes) | 10425 | 40443 |
| | 5/32 | | | |
| | 3/16 | | | |

CHERRYMAX® AND MBC® ARE REGISTERED TRADEMARKS OF CHERRYAEROSPACE.

Rev. 6/15



*See chart 40443 pintail tube must be removed for certain 3/16" fasteners.



3/13 Rev. 8/15

GAGE BILT

GAGE BILT Inc.

44766 Centre Court (586) 226-1500
 Clinton Twp., MI 48038 (586) 226-1505 Fax
 e-mail:solutions@gagebilt.com / www.gagebilt.com

| | | | |
|----------------|------|-------------------|---------------------------------------|
| Type: | | Fastener: | Recommended Tool: GB751 |
| Self-Releasing | | See Chart | Alternate Tools: GB722 & GB2480(A) |
| Ref. No. | Qty. | Anvil Holder | XX-751-23 |
| 1 | 1 | Nose Tip | SEE CHART |
| 2 | 1 | Anvil Holder | 17796 |
| 3 | 1 | Collet | 20421 |
| 4 | 1 | Jaw Set | 30617 |
| 5 | 1 | Follower | 40442 |
| 6 | 1 | Spring | 50612 |
| 7 | 1 | Extension-Collet | 70550-1 |
| *8 | 1 | Pintail Tube Assy | *40443 |